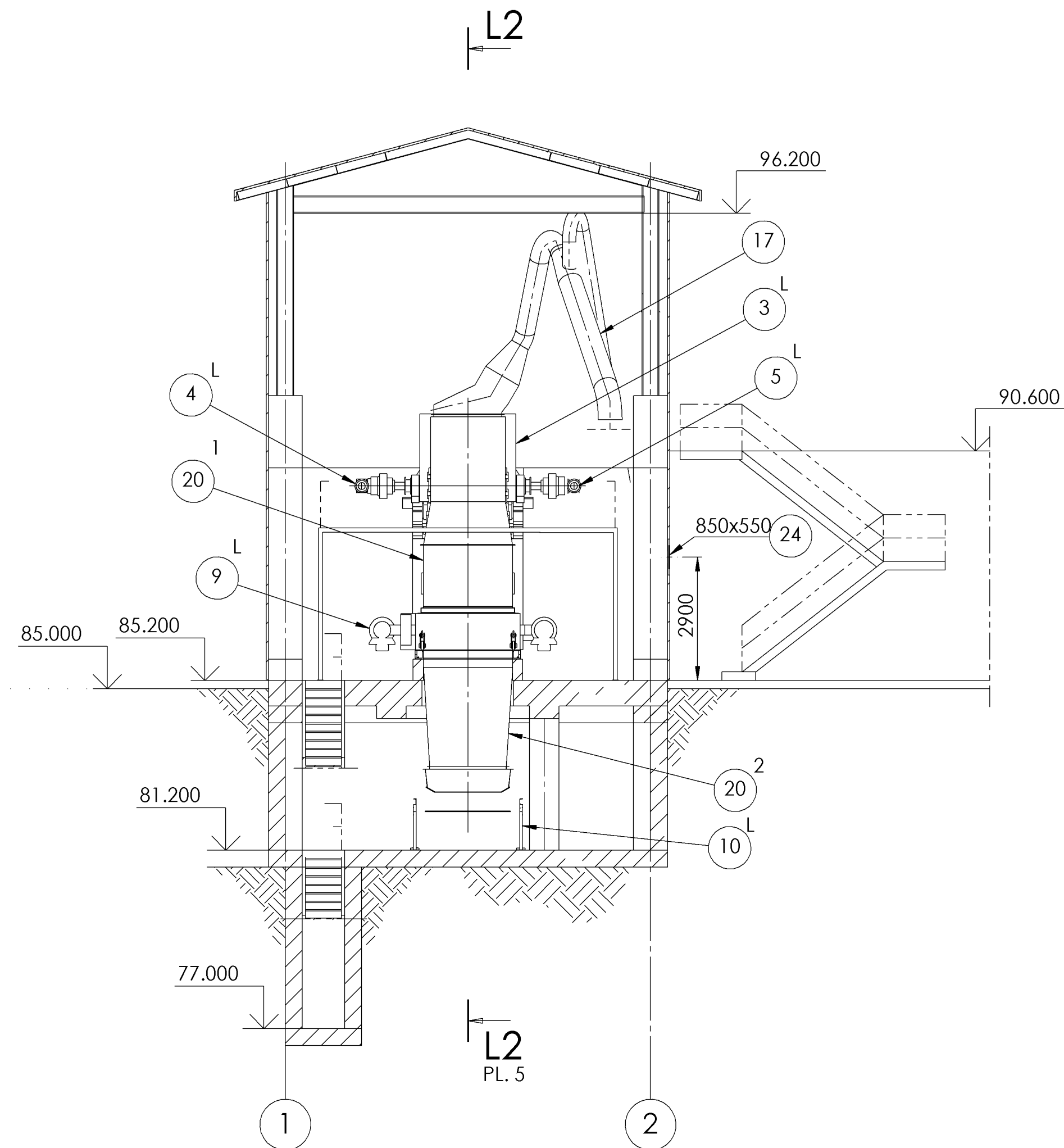
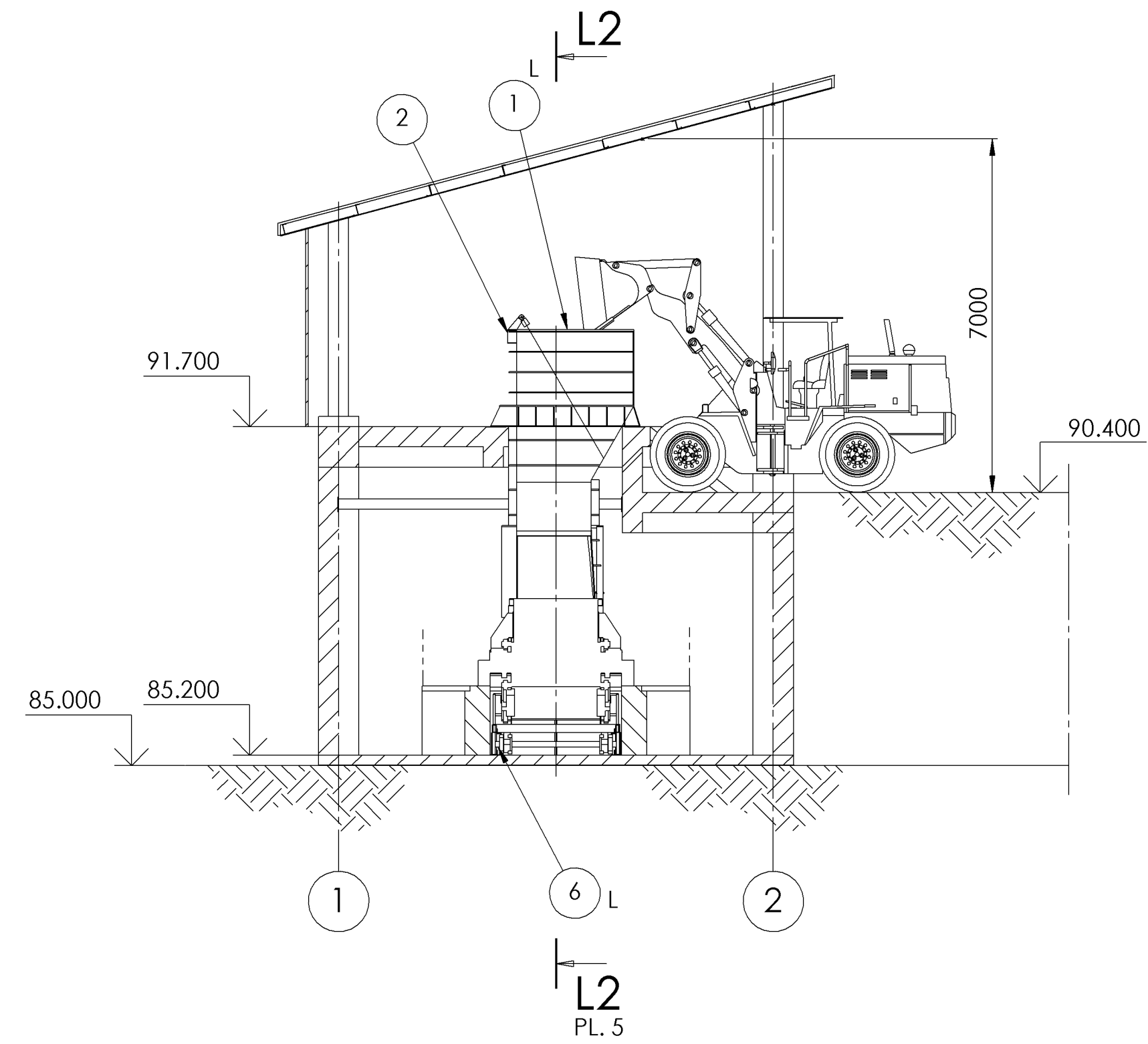


C2-C2



C3-C3



This drawing to be read in conjunction with instruction No. 749500.				
For equipment with reference Nos. with \bigcirc ; the loads are only specified on outline and load drawings.				
In the calculation of natural loads it is assumed, that expansion joints on machines and ducts, do not transfer forces.				
Scale:	Drawn	Appr.	Appr. Date	Zone/Descr.:
1:100	CM	SB		Reference No. with \bigcirc , see legend No.50095693
2500 TPD 212 Pozzolana intake and crusher				
General Arrangement Drawing				Plan No. 8
The information transmitted by this document is the proprietary and confidential property of and may not be duplicated, disclosed, or utilized without written consent from				
			No.:	13300421
			Ver.:	1.0

Erector's note:

Normal erection operations include the correction of minor misfits by moderate amounts of straightening, shimming, reaming, chipping, cutting or grinding and the drawing of elements into line through the use of drift pins. Misfits which cannot be corrected by the foregoing means or which require major changes in equipment configuration are to be reported immediately to the supplier by the erector, to enable the supplier either to correct the misfit or to approve the most efficient and economic method of correction to be implemented.